

Submersible sump pump made of stainless steel AISI 304, double mechanical seals ensure long life and reliability. Suitable for draining wells, plant room sump, lift shaft emptying, pools, sumps, irrigation, and water displays. Options include with - without float switch. Solids handling up to 10 mm



SPECIFICATIONS

- Maximum liquid temperature:
35°C according EN 60335-2-41 for domestic uses
50°C for other uses
- Maximum immersion: 10 m
- Maximum passage of solids: 10 mm

MATERIALS

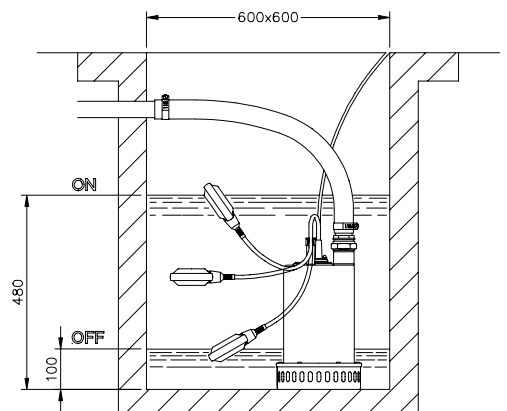
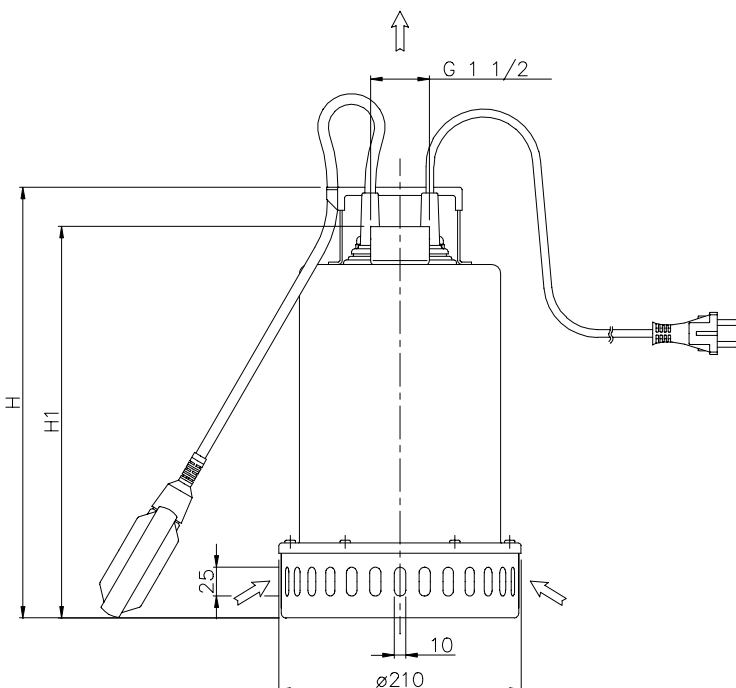
- Pump casing, impeller, strainer, cover, casing cover and motor casing in AISI 304
- Shaft in AISI 303
- Double mechanical seal with interposed oil chamber upper in carbon-ceramic/NBR - lower in SiC/SiC/NBR

TECHNICAL DATA

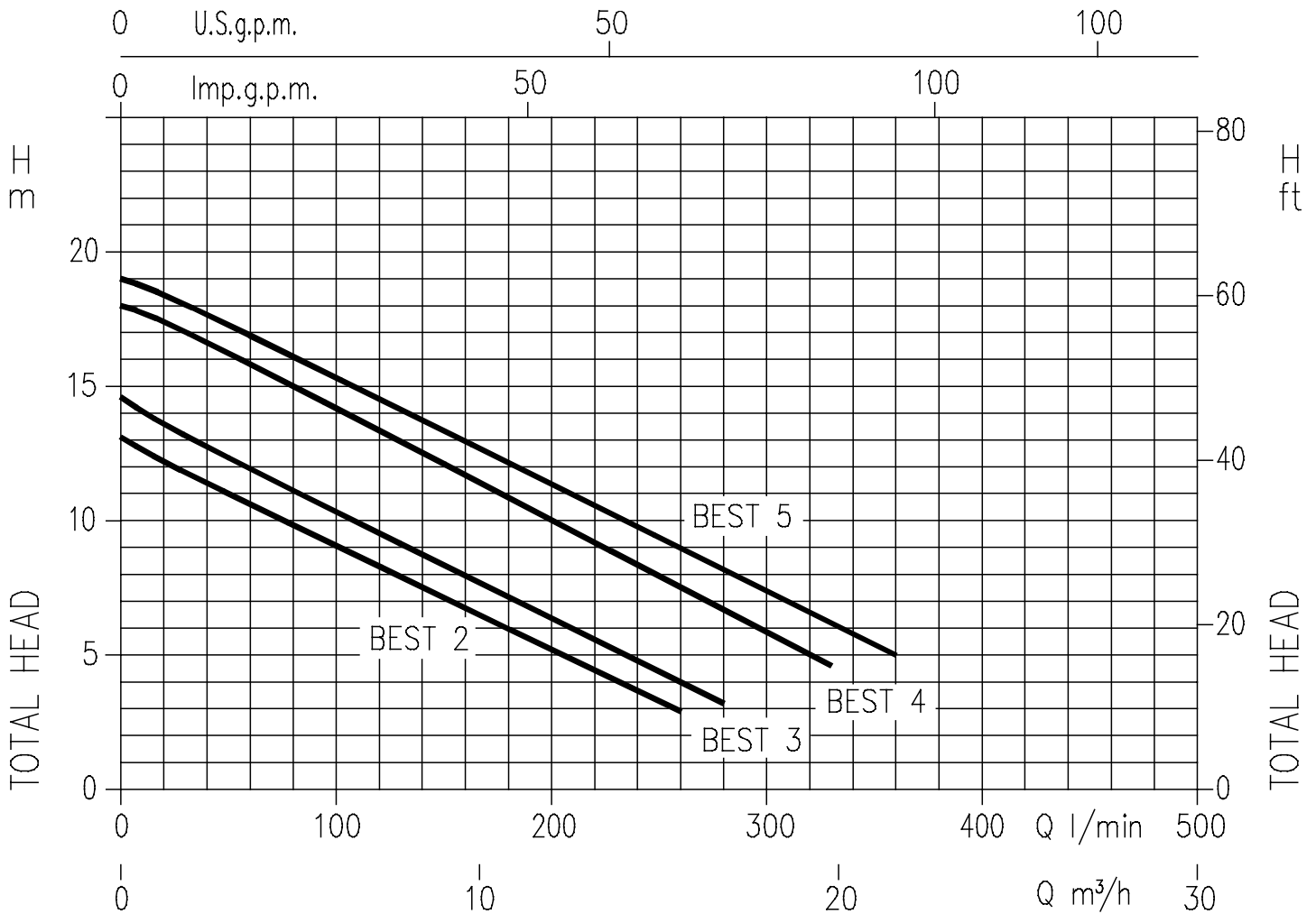
- Asynchronous 2 poles motor
- Insulation class F
- Protection degree IP68
- 1~230V ± 10%, 50Hz - 3~400V ± 10%, 50Hz
- Permanent split capacitor and automatic thermal overload protection for single-phase version
- Thermal protection to be provided by the user for three-phase version
- DNM 1^{1/2}

DIMENSIONAL TABLE

Pump type	(mm)		Weight kg
	H	H1	
BEST 2	352	315	12
BEST 3	352	315	12,7
BEST 4	377	340	138
BEST 5	377	340	13,5



PERFORMANCE CURVES (according to ISO 9906 Annex A)



PERFORMANCE TABLE

Pump type		kW	Capacitor		Absorbed Current (A)		l/min m³/h	Q=Capacity							
Single-phase 230V 50Hz	Three-phase 400V 50Hz		µF	V _c	1~	3~		20	80	120	170	260	280	330	360
BEST 2 M	BEST 2	0,55	16	450	4,4	2,0	12,2	9,8	8,3	6,3	2,9	-	-	-	
BEST 3 M	BEST 3	0,75	20	450	5,6	2,4	13,6	11,1	9,5	7,6	4	3,2	-	-	
BEST 4 M	BEST 4	1,1	31,5	450	7,3	3,0	17,4	15	13,4	11,3	7,5	6,7	4,6	-	
-	BEST 5	1,5	-	-	-	3,3	18,4	16,1	14,5	12,5	9	8	6	5	